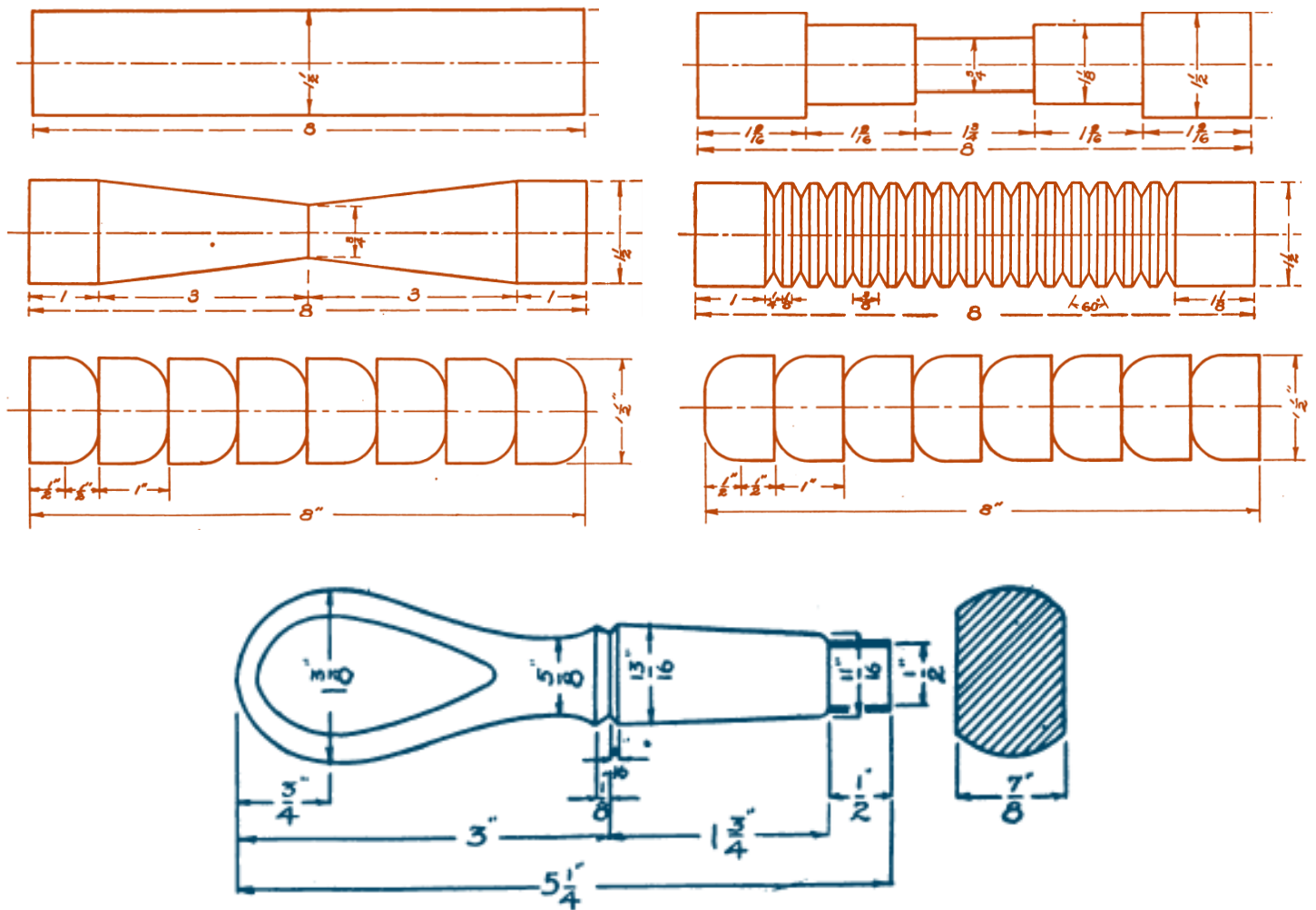


Traditional Spindle Turning

An Advanced Refresher Course on the Skew Chisel



This intensive one day class reactivates foundational spindle turning skills. Moving through six structured and increasingly complex exercises, participants methodically refresh their tool control and mastery of the diverse spindle turning cuts.

The class culminates in crafting a custom squared-end handle screwdriver to exact dimensions while integrating an on-the-lathe drilling technique.

This advanced class requires prior experience, and confident operation, using traditional spindle turning tools, especially the skew chisel.